

Aqua-Flo Pumps for Spas
Flo-Master XP2e



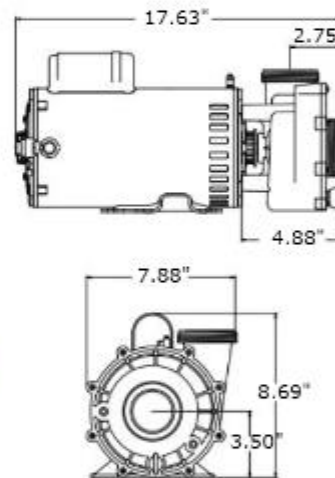
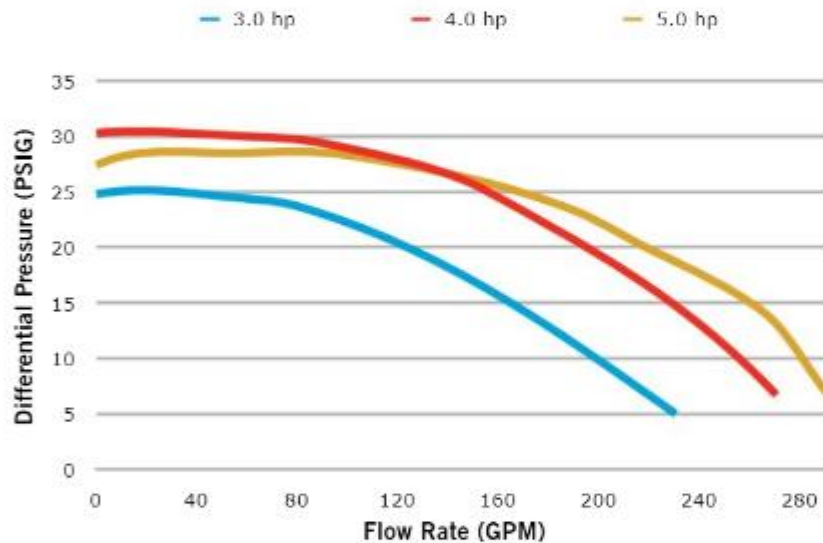
XP2e

Flo-Master XP2e
 greater flow-rates with overall energy efficiency

- Booster jet pumps
- Ideal for multi-jet applications
- Dual-speed
- Flow rate up to 280 GPM
- 56 frame motor
- 2" intake and discharge
- Seal: Viton



Dimension and Performance Curves FM-XP2e



Flo-Master XP2e Series, 60Hz, 56 Frame

Dual-speed, 2" intake & discharge

| Part No. | hp | Volts | A (High) | A (Low) | OP.HP* | Hi-Flow GPM |
|---------------|-----|-------|----------|---------|--------|-------------|
| 05320761-2040 | 3.0 | 230 | 8.9 | 4.7 | 2.0 | 170 |
| 05334012-2040 | 4.0 | 230 | 11.8 | 4.5 | 3.0 | 230 |
| 05340009-5040 | 5.0 | 230 | 14.0 | 4.5 | 4.0 | 260 |

Dual-speed, 2.5" intake & 2" discharge

| Part No. | hp | Volts | A (High) | A (Low) | OP.HP* | Hi-Flow GPM |
|---------------|-----|-------|----------|---------|--------|-------------|
| 05320762-5040 | 3.0 | 230 | 8.9 | 4.7 | 2.0 | 170 |
| 05334024-5040 | 4.0 | 230 | 12.8 | 4.8 | 3.0 | 230 |
| 05340011-5040 | 5.0 | 230 | 14.0 | 4.5 | 4.0 | 260 |

Every pump comes with 2 compression fittings & without cord.

* OP.HP refers to operational duty horsepower.