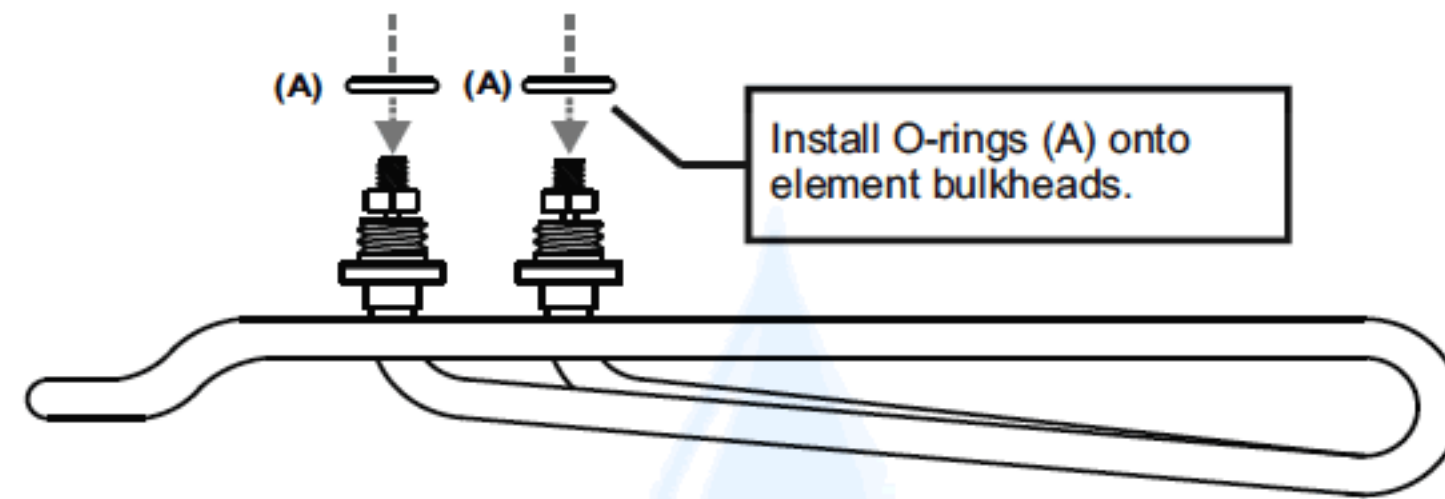


HEATER ELEMENT REPLACEMENT INSTRUCTIONS

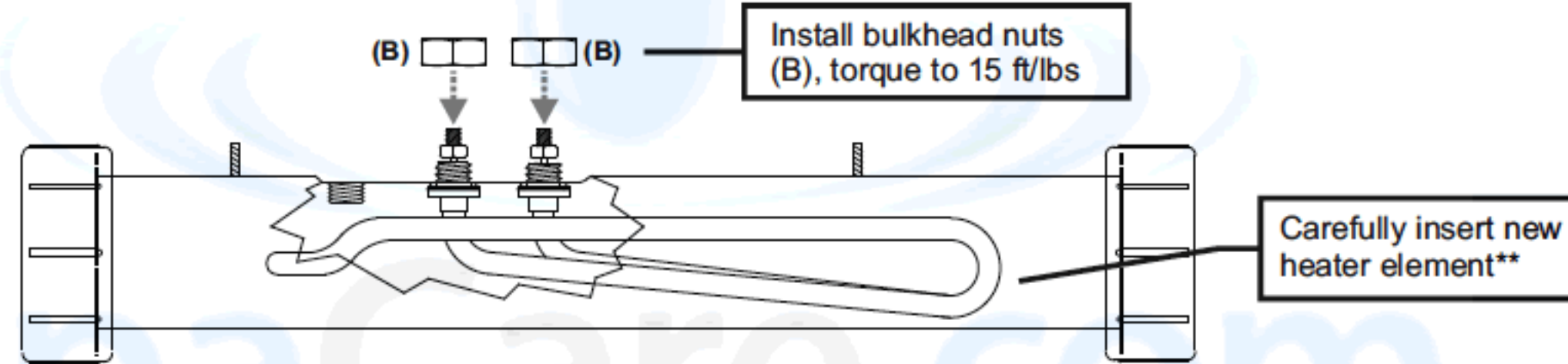
Prior to installing the new heater element the defective element must be removed.

CAUTION - All inner and outer sealing surfaces of stainless steel heater housing must be clean and free of debris prior to installing the new element or leaks may occur.

STEP 1

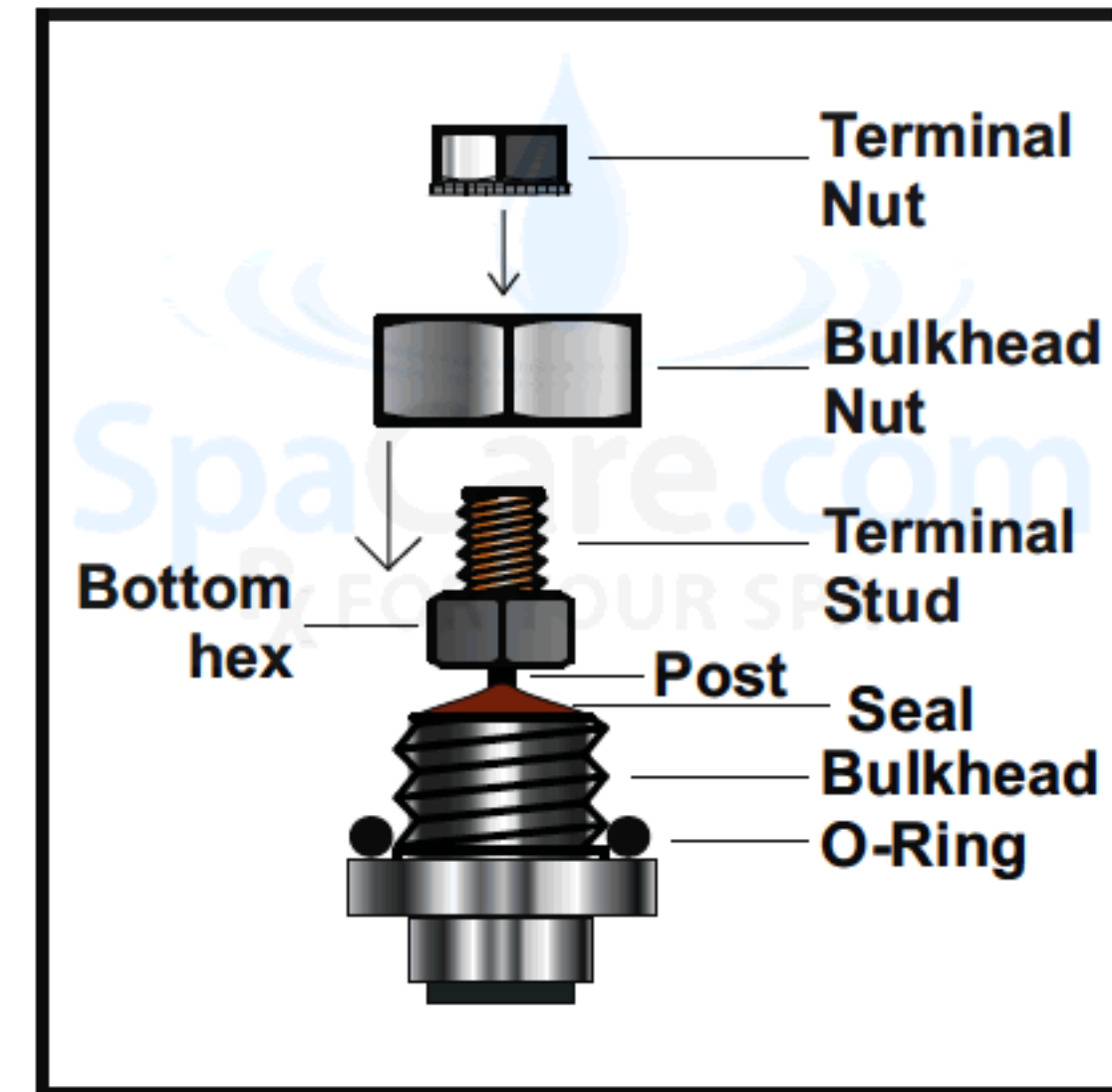
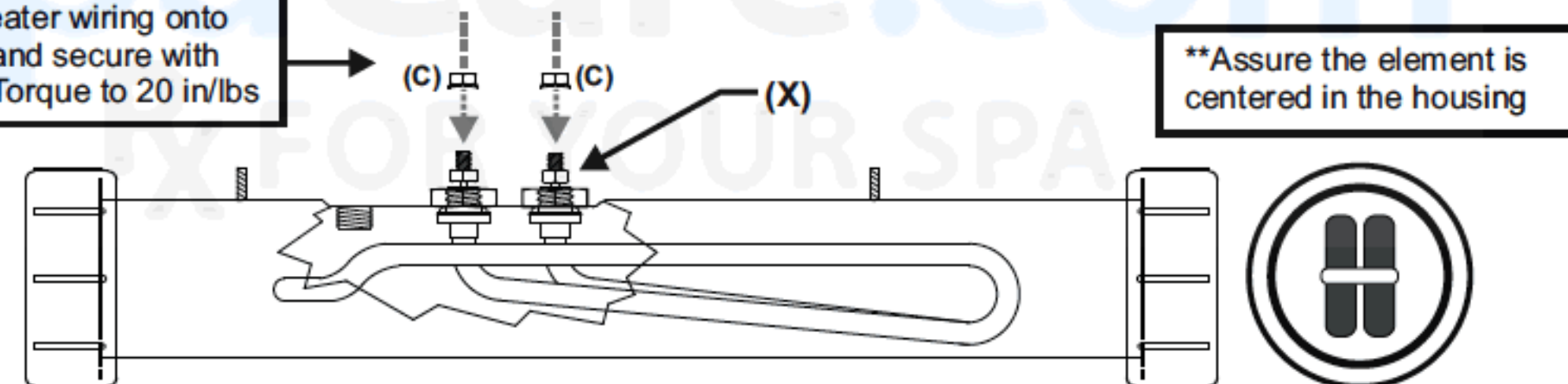


STEP 2



* Reinstall heater wiring onto terminals and secure with nuts (C). Torque to 20 in/lbs

STEP 3



NOTE: When securing control wiring to heater element in "Step 2 - operation 3", a 1/4" or 3/8" wrench MUST be used to hold the terminal bottom hex (X) to prevent the element stud from twisting or breaking, which will void the warranty.