

- 1. STAGE 1 _____
- 2. STAGE 2 _____
- 3. STAGE 3 _____
- 4. HYPOT _____
- 5. TESTED _____
- 6. Q.C. _____

50864-11

MODEL C2000

Balboa Instruments Incorporated
COSTA MESA, CA.

Certified to comply with the limits for a Class B computing device pursuant to subpart J of part 15 of the FCC rules

LISTED
10593926630

MODEL: DU-C2000-DCA

60 HZ -9

PAT. NO. 4618797 MADE IN USA

GRN Ground	RED Hot	BLK Hot	WHT Neutral
USE COPPER WIRE		240V	
MIN. 6 AWG		40A	
		60Hz	



10/27/98

C2000 SYSTEM WIRING DIAGRAM

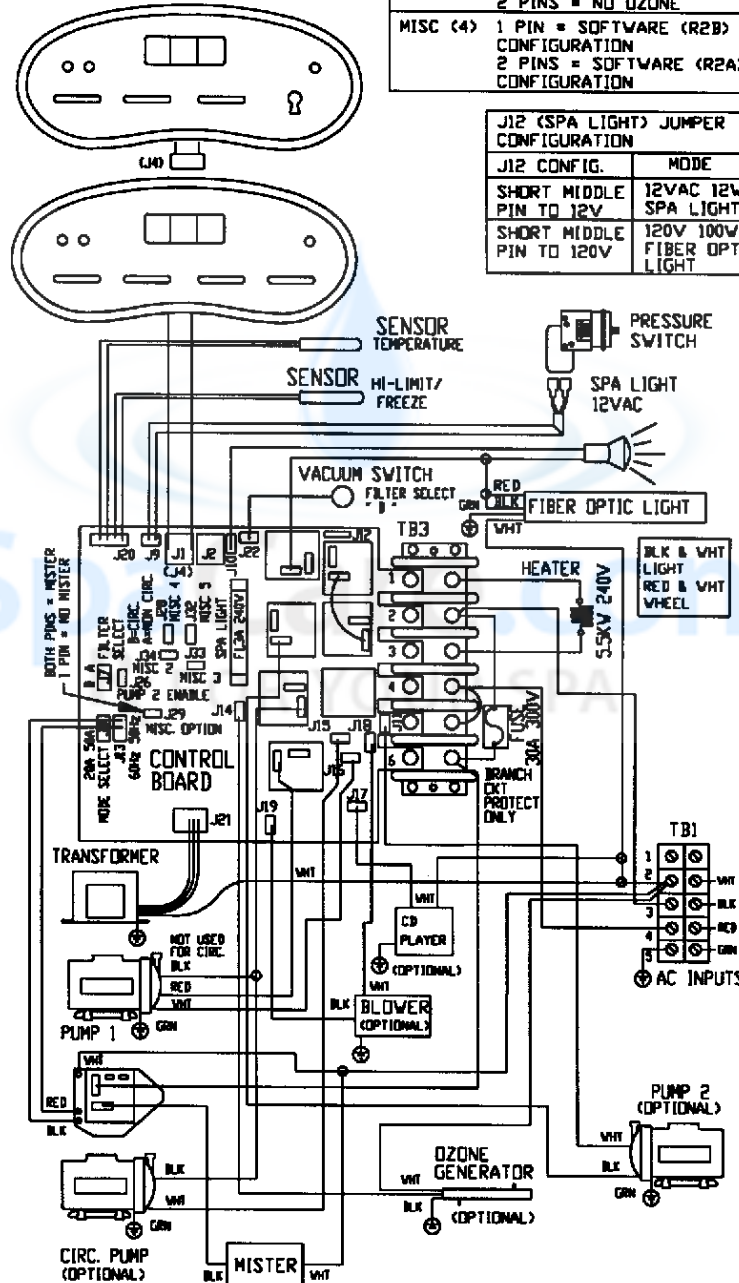
MISC. JUMPER CONFIGURATIONS

MISC (2) 1 PIN = WITH OZONE
2 PINS = NO OZONE

MISC (4) 1 PIN = SOFTWARE (R2B) CONFIGURATION
2 PINS = SOFTWARE (R2A) CONFIGURATION

J12 (SPA LIGHT) JUMPER CONFIGURATION

J12 CONFIG.	MODE
SHORT MIDDLE PIN TO 12V	12VAC 12W SPA LIGHT
SHORT MIDDLE PIN TO 120V	120V 100W FIBER OPTIC LIGHT



1. STAGE 1 _____
2. STAGE 2 _____
3. STAGE 3 _____
4. HYPOT _____
5. TESTED _____
6. Q.C. _____

50864-10

MODEL C2000

Balboa Instruments Incorporated
COSTA MESA, CA.

Certified to comply with the limits for a class B computing device pursuant to subpart J of part 15 of the FCC rules

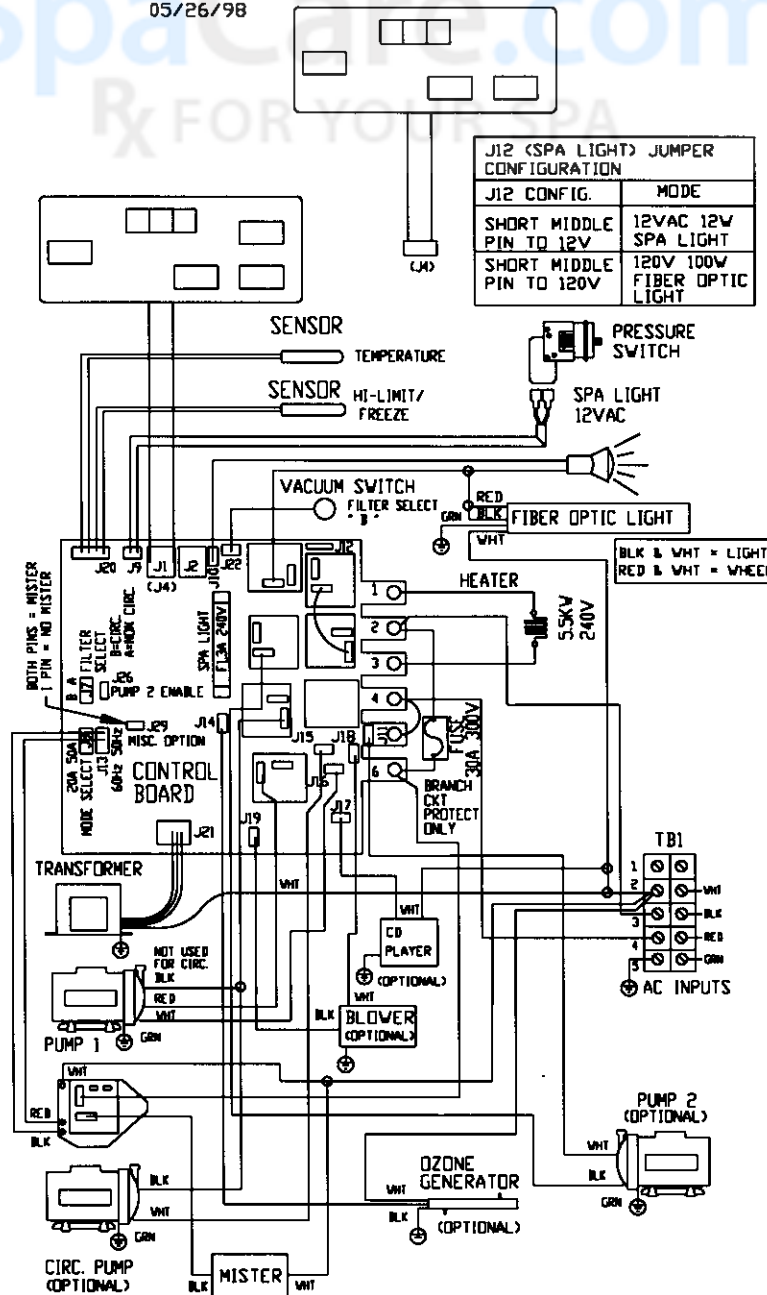
LISTED
EIL
80593926630

MODEL: DU-C2000-DCA
60 HZ -9
PAT. NO. 4618797 MADE IN USA

GRN Ground	RED Hot	BLK Hot	WHT Neutral
USE COPPER WIRE MIN. 6 AWG		240V 40A 60Hz	

Balboa Instruments Incorporated
05/26/98

C2000 SYSTEM WIRING DIAGRAM



- 1. STAGE 1 _____
- 2. STAGE 2 _____
- 3. STAGE 3 _____
- 4. HYPOT _____
- 5. TESTED _____
- 6. Q.C. _____

50864-09
MODEL C2000

Balboa Instruments Incorporated
COSTA MESA, CA.

Certified to comply with the limits for a class B computing device pursuant to subpart J of part 15 of the FCC rules

LISTED
E11
10593926630

MODEL: DU-C2000-DCA
60 HZ -9

PAT. NO. 4618797 MADE IN USA

GRN Ground	RED Hot	BLK Hot	WHT Neutral
USE COPPER WIRE MIN. 6 AWG		240V 40A 60Hz	

Balboa Instruments Incorporated
03/06/98

C2000 SYSTEM WIRING DIAGRAM

